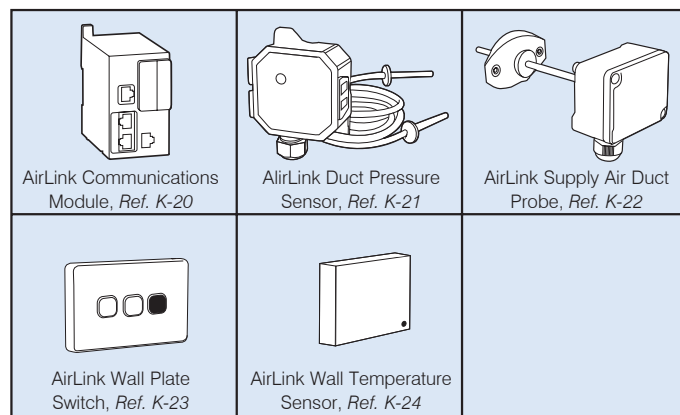


AIRLINK CHW CONTROLLER

ANCILLARY EQUIPMENT



DESCRIPTION

The AirLink Chilled Hot Water (CHW) Controller helps create a complete HVAC management system for commercial buildings where Fan Coil Units (FCU) or Air Handling Units (AHU) are used. It can manage one unit and operate single or variable speed fans.

The CHW model AirLink Controller is used with Chilled or Hot Water Air Handling Systems.

Features

- Connects to a Fan Coil Unit (FCU) or Air Handling Unit (AHU) with one thermal zone
- Used with either Constant Diffusers or Rickard Variable Air Volume (VAV) Diffusers
- On/Auto/Off mode of operation with afterhours run-on timer with real time clock
- Can be set to Analogue or Modbus operational mode
- Hot / Cold valve variable control or On/Off
- Variable Fan speed control or On/Off
- IP20 Protection Class

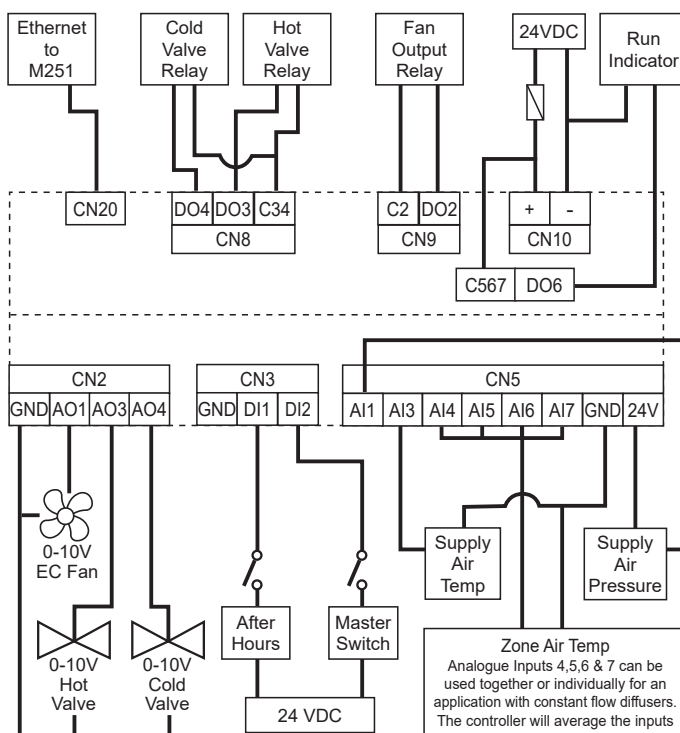
Standard I/O

- 8 x Digital Inputs
- 8 x Analogue Inputs
- 8 x Digital Outputs
- 4 x Analogue Outputs

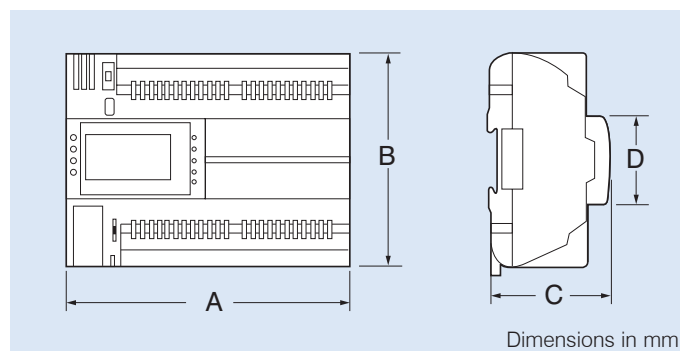
Ports

- 1 x USB type A - USB type A female
- 1 x USB type mini B - USB device port Mini-B
- 2 x RS485 - screw terminal block (Modbus serial link)
- 1 x Ethernet - RJ45 (Modbus TCP and BACnet IP with webserver)

Wiring Diagrams



DIMENSIONS



Model Number	Dimensions, mm				Kit includes
	A	B	C	D	
DCV-ARLK-CHXKIT	114	110	60	45	CHW Controller, Connectors, Air Duct Probe, Transformer & Fuse